

## Air heater type L62 to 9,1 KW



**Function:** Air heater with external air supply by means of fan or compressed air.  
CAUTION !!! Device is not pressure-resistant !!!

**Configuration:** Default: Temperature control with potentiometer (1 – 9)  
 - alternatively with external potentiometer (cable length 5 meter) or  
 - external control by control unit or SPS (cable length per meter)  
 Device is equipped with a reliable heating element protection. The integrated device protection turns off the device when tripped, the fault must be with a "reset" reset again.

**Features:** Special designs with internal thermocouple (cable length 1 or 5 meter)  
 - for devices with electronic equipment max. supply air temperature 50°C  
 - the unit is available without electronics (without heating element and device protection)  
 - for devices without electronic equipment max. supply air temperature 150°C

**Power:** 4,3 KW - 9,1 KW  
**Voltages:** 230 VAC, 400-440-480 VAC (2Ph), 400-440-480 VAC

### Technical Data:

Item number		5102156 (5102157*)	5102169 (5102173*)	5102174 (5109138*)	5100989	5102171 (5102177*)	5102175 (5102168*)
<b>Voltage</b>	VAC	230	400 440 - 480 (2 Ph)			400 - 440 - 480	
<b>Frequency</b>	Hz	50 / 60					
<b>Power</b>	KW	4,3	5,8 - 7,0 - 8,4	8,6 - 10,5 - 12,4	9,1 - 11,0 - 13,1	4,4 - 5,3 - 6,3	7,6 - 9,2 - 11,0
<b>Current</b>	A	18,6	14,5 - 15,9 - 17,5	21,6 - 23,9 - 25,9	22,7 - 25,0 - 27,3	6,3 - 7,0 - 7,6	11,0 - 12,0 - 13,3
<b>Max. temperature</b>	°C	700					
<b>Min. air volume</b>	l/min	240 (310*)	390 (495*)	470 (587*)	680 (859*)	270 (344*)	550 (687*)
<b>Weight</b>	kg	2,9					
<b>Air intake</b>	Ø mm	38					
<b>Air outlet</b>	Ø mm	55					
<b>Heater tube</b>	Ø mm	62 / 74					
<b>Dimensions</b>	mm (L x W x H)	355 x 123 x 124					

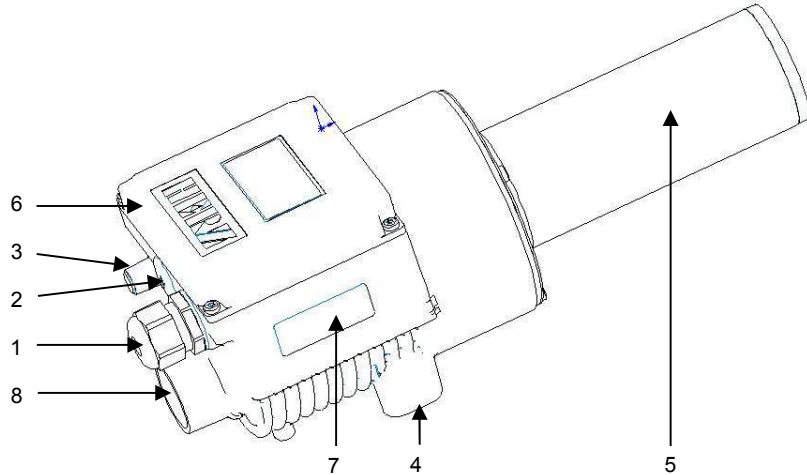
**Conformity mark**

**Protection class I**

\* without electronic

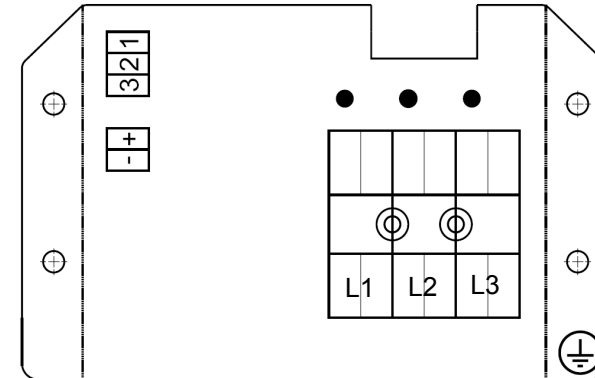
## Air heater type L62 to 9,1 KW

### Product description:



1. Cable fitting mains supply
2. Cable fitting control cable for external control
3. Potentiometer 0-9 (no Potentiometer for devices without electronic and external control)
4. Mounting on bottom of housing M 8 (screw depth 16 mm)
5. Heating element pipe (type L= 62mm; type XL = 92 mm)
6. Cover
7. Data plate
8. Air intake Ø 38mm

### Connection scheme:



1. L1, N or L1, L2 or L1, L2, L3 Main connection according to data plate
2. ⊕ earth
3. 1 – 3 potential-free changeover contact (230VAC, 1A)
  - 2 → 1 = close
  - 2 → 3 = open
4. +/- external control signal from for example SPS or Controller (PWM 12 – 24VDC max. 5,0Hz)

#### **NOTE:**

In the execution of 400-440VAC (2Ph), only the terminals L1, L2 and PE(protective earth) occupied. The L3 terminal is blocked by a jumper. For devices without electronics, the terminals + / - and 1/2/3 not available!

#### **NOTE:**

After activation of the heating element and / or equipment protection is indicated on the devices with electronics has a relay contact this disorder. The built-in relay, will give the following model with the terminals 1-3 (3), a potential-free changeover contact. This signal can only be a "reset" back off, that is, the device must be energized.

Measures in case the heating element and protection:

Unit from the mains, after 3 seconds automatically reset the electronics. Check the air supply (air flow, pressure, fan filter). Restore power supply.













### Air heater type L62 to 9,1 KW

#### Available versions:

Item No.	Description
<b>5102156</b>	<b>Air heater type L62 230 VAC 4,3 KW with potentiometer</b>
5102157	Air heater type L62 230 VAC 4,3 KW for external control
<b>5102164</b>	<b>Air heater type L62 230 VAC 3Ph 8,4 KW without electronic</b>
<b>5102169</b>	<b>Air heater type L62 400-440-480 VAC 2Ph 5,8-7,0-8,4 KW with potentiometer</b>
5102170	Air heater type L62 400-440-480 VAC 2Ph 5,8-7,0-8,4 KW for external control
5102167	Air heater type L62 400-440-480 VAC 2Ph 5,8-7,0-8,4 KW with potentiometer and protection tube
5102165	Air heater type L62 400-440-480 VAC 2Ph 5,8-7,0-8,4 KW for external control with protection tube
5102172	Air heater type L62 400-440-480 VAC 2Ph 5,8-7,0-8,4 KW for external control, Poti with protection tube and 5 meter control cable
<b>5102173</b>	<b>Air heater type L62 400-440-480 VAC 2Ph 5,8-7,0-8,4 without electronic</b>
<b>5102174</b>	<b>Air heater type L62 400-440-480 VAC 2Ph 8,6-10,5-12,4 KW with potentiometer</b>
5102176	Air heater type L62 400-440-480 VAC 2Ph 8,6-10,5-12,4 KW for external control
5102183	Air heater type L62 400-440-480 VAC 2Ph 8,6-10,5-12,4 KW with potentiometer and protection tube
5102166	Air heater type L62 400-440-480 VAC 2Ph 8,6-10,5-12,4 KW for external control with protection tube
5102163	Air heater type L62 400-440-480 VAC 2Ph 8,6-10,5-12,4 KW for external control, Poti with protection tube and 5 Meter control cable
5113430	Air heater type L62 400-440-480 VAC 2Ph 8,6-10,5-12,4 KW 1/4"IG sealed
<b>5109138</b>	<b>Air heater type L62 400-440-480 VAC 2Ph 8,6-10,5-12,4 KW without electronic</b>
<b>5100989</b>	<b>Air heater type L62 400-440-480 VAC 2Ph 9,1-11,0-13,1 KW with potentiometer with special heating element for regeneration</b>
<b>5102171</b>	<b>Air heater type L62 400-440-480 VAC 4,4-5,3-6,3 KW with potentiometer</b>
5113725	Air heater type L62 400-440-480 VAC 4,4-5,3-6,3 KW for external control
<b>5102177</b>	<b>Air heater type L62 400-440-480 VAC 4,4-5,3-6,3 KW without electronic</b>
<b>5102175</b>	<b>Air heater type L62 400-440-480 VAC 7,6-9,2-11,0 KW with potentiometer</b>
5102178	Air heater type L62 400-440-480 VAC 7,6-9,2-11,0 KW for external control
<b>5102168</b>	<b>Air heater type L62 400-440-480 VAC 7,6-9,2-11,0 KW without electronic</b>
5102184	Air heater type L62 480 VAC 2Ph 8,4 KW with potentiometer
5102186	Air heater type L62 480 VAC 2Ph 8,4 KW for external control
5102185	Air heater type L62 480 VAC 2Ph 8,0 KW without electronic

## Air heater type L62 to 9,1 KW

### Accessories:

Item No.	Description
5107246	 Flange connector, slideable
5107245	 Round nozzle $\varnothing$ 40 mm, slideable
5107265	 Angled nozzle, length 120 x 112mm
5107247	 Extension tube 200 x 40 mm, slideable
5107253	 Tubular nozzle 700 x 550 x 1.7 mm (L1 x L2 x W)
5107260	 Wide slot nozzle 85 x 15mm
5107259	 Wide slot nozzle 150 x 12mm
5105977	 Wide slot nozzle 200 x 9mm
5107263	 Wide slot nozzle 250 x 12mm
5107262	 Wide slot nozzle 300 x 4mm
5105991	 Wide slot nozzle 500 x 4mm
5106177	 Shrinking reflector 50 x 400mm; socket mounted on the side

## Air heater type L62 to 9,1 KW

### Combination possibilities for devices WITH electronic \*:

**Measuring point:** 3.0 mm after the air outlet pipe adapter – without nozzle, measured at the hottest point  
**Hose length:** 1,0 m  
**Air supply:** Blower 400 Volt, 50 Hz (HD = High pressure blower, MD = Medium pressure blower)  
**Air flow:** NI / min = standard liters per minute according to DIN 1343

**CAUTION:** Air flow and temperature are indicative which can change due to external influences and changes air hose diameter and length!

Blower type	Quantity, air heater type; voltage; power	Air flow at 50 Hz with heating [NI / min.]	Maximum temperature at 50 Hz [° C]
HD140	1 x L62; 400VAC(2Ph); 5,8KW	1300	340
	2 x L62; 400VAC(2Ph); 5,8KW	2 x 730	530
HD240	4 x L62; 400VAC(2Ph); 5,8KW	4 x 1000	410
	6 x L62; 400VAC(2Ph); 5,8KW	6 x 700	550
MD10	1 x L62; 400VAC(2Ph); 5,8KW	720	570
	2 x L62; 400VAC(2Ph); 5,8KW	2 x 640	580
	4 x L62; 400VAC(2Ph); 5,8KW	4 x 590	600
MD14	1 x L62; 400VAC(2Ph); 5,8KW	860	490
	2 x L62; 400VAC(2Ph); 5,8KW	2 x 770	500
	4 x L62; 400VAC(2Ph); 5,8KW	4 x 750	500
HD140	1 x L62; 400VAC(2Ph); 8,6KW	1370	380
	2 x L62; 400VAC(2Ph); 8,6KW	2 x 750	600
HD240	4 x L62; 400VAC(2Ph); 8,6KW	4 x 1020	480
MD10	1 x L62; 400VAC(2Ph); 8,6KW	840	570
	2 x L62; 400VAC(2Ph); 8,6KW	2 x 800	570
	4 x L62; 400VAC(2Ph); 8,6KW	4 x 660	620
MD14	1 x L62; 400VAC(2Ph); 8,6KW	1000	500
	2 x L62; 400VAC(2Ph); 8,6KW	2 x 960	500
	4 x L62; 400VAC(2Ph); 8,6KW	4 x 840	530
HD140	1 x L62; 400VAC; 7,6KW	1320	450
	2 x L62; 400VAC; 7,6KW	2 x 750	690
HD240	4 x L62; 400VAC; 7,6KW	4 x 1000	550

## Air heater type L62 to 9,1 KW

### Combination possibilities for devices WITH electronic \*:

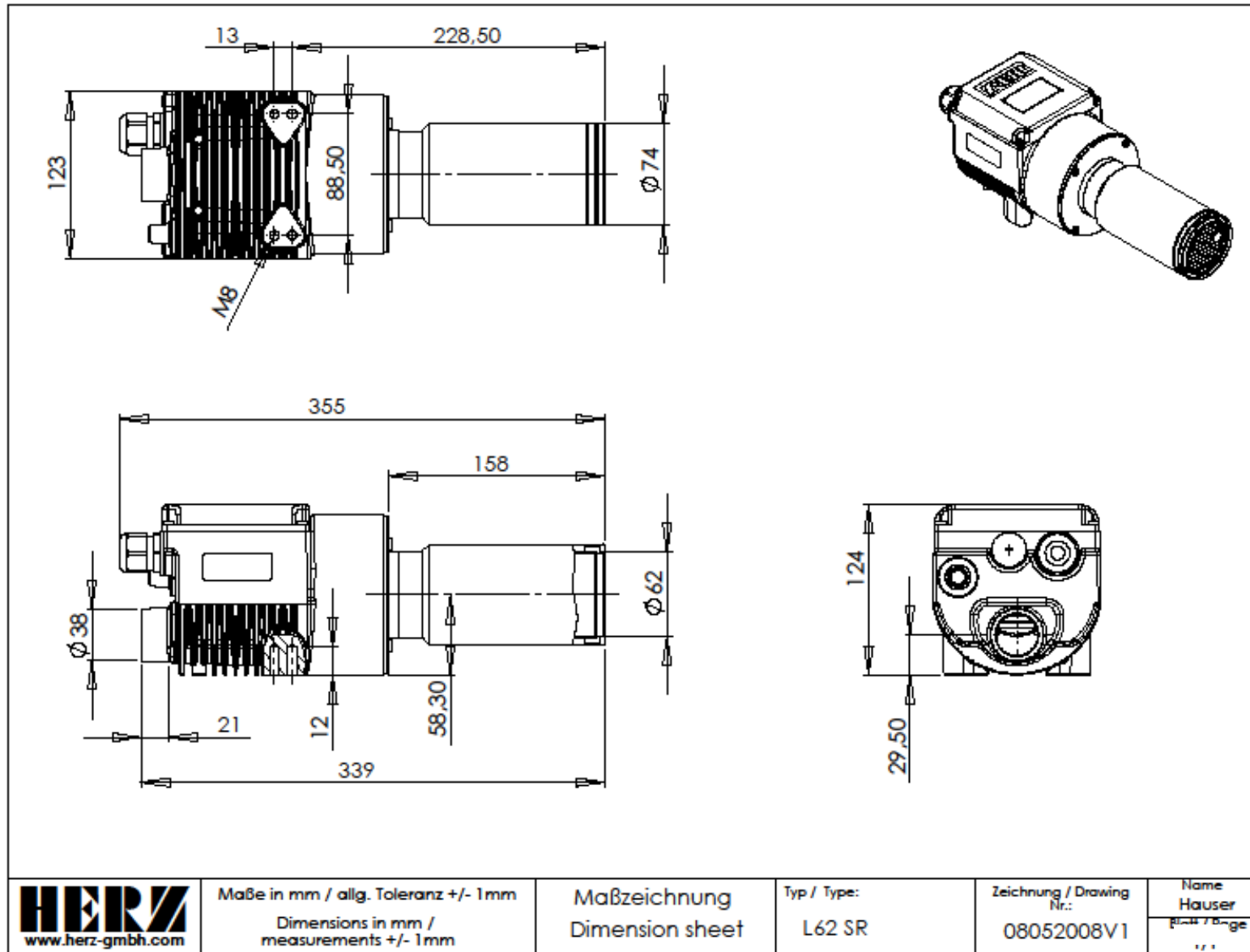
**Measuring point:** 3.0 mm after the air outlet pipe adapter – without nozzle, measured at the hottest point  
**Hose length:** 1,0 m  
**Air supply:** Blower 400 Volt, 50 Hz (HD = High pressure blower, MD = Medium pressure blower)  
**Air flow:** NI / min = standard liters per minute according to DIN 1343

**CAUTION:** Air flow and temperature are indicative which can change due to external influences and changes air hose diameter and length!

Blower type	Quantity, air heater type; voltage; power	Air flow at 50 Hz with heating [NI / min.]	Maximum temperature at 50 Hz [° C]
MD10	1 x L62; 400VAC; 7,6KW	660	660
MD14	1 x L62; 400VAC; 7,6KW	790	630
	2 x L62; 400VAC; 7,6KW	2 x 750	660
	4 x L62; 400VAC; 7,6KW	4 x 690	680
HD140	1 x L62; 400VAC; 4,4KW	1380	280
	2 x L62; 400VAC; 4,4KW	2 x 750	440
HD240	4 x L62; 400VAC; 4,4KW	4 x 1010	350
MD10	1 x L62; 400VAC; 4,4KW	830	420
MD14	1 x L62; 400VAC; 4,4KW	990	370
	2 x L62; 400VAC; 4,4KW	2 x 960	370
	4 x L62; 400VAC; 4,4KW	4 x 810	410

\*Data without guarantee

Air heater type L62 to 9,1 KW



## Air heater type L62 to 9,1 KW

### **HERZ** GmbH

Kunststoff- & Wärmetechnologie  
Biberweg 1  
DE – 56566 Neuwied  
Tel.: +49 (0)2622-81086; Fax: +49 (0)2622-81080  
www.herz-gmbh.com; info@herz-gmbh.com

### **HERZ** Austria GmbH

Kunststoff- & Wärmetechnologie  
Gleinser Weg 27  
AT – 6141 Schönberg / Tirol  
Tel.: +43 (0)5225-63113; Fax: +43 (0)5225-6311385  
www.herz-austria.at; herz.schoenberg@herz-gmbh.com

### **HERZ** Hungária Kft.

Műanyag- es hőlégtéchnika  
Pesti út 284. (HRSZ. 3335.)  
HU – 2225 Üllö  
Tel.: +36 (06)29-522400; Fax: +36 (06)29-522 410  
www.herz-hungaria.hu; herz@herz-hungaria.hu

### **HERZ** Bulgaria OOD

Boul. Assen Yordanov 10  
BG – 1592 Sofia  
Tel.: +359 (0)2-9790351; Fax: +359(0)2-9790793  
www.herz-bulgaria.com; office@herz-bulgaria.com

### **HERZ** GmbH

Kunststoff- & Wärmetechnologie  
Am Arenberg 26A  
DE – 86456 Gablingen  
Tel.: +49 (0)8230-85085; Fax: +49 (0)8230-85087  
www.herz-gmbh.com; robert.einberger@herz-gmbh.com

### **HERZ** Austria GmbH

Kunststoff- & Wärmetechnologie  
Johann-Galler-Str. 20 IZ – NÖ – Nord  
AT – 2120 Wolkersdorf i. Weinviertel  
Tel.: +43 (0)2245-82494-0; Fax: +43 (0)2245-82494-9  
www.herz-austria.at; herz.wolkersdorf@herz-gmbh.com

### **HERZ** Polska Sp.z o. o.

Technologie obróbki tworzyw sztucznych  
Ul. Kostrzyńska 30  
PL – 02-979 Warszawa  
Tel.: +48 (0)22-8428583; Fax: +48 (0)22-8429700  
www.herz.polska.pl; herz.polska@herz-gmbh.com