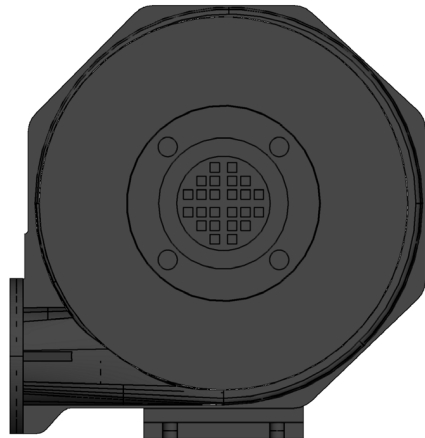
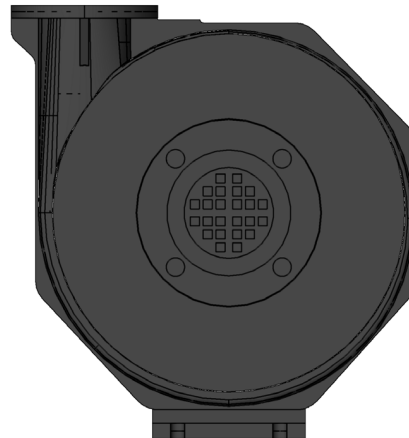


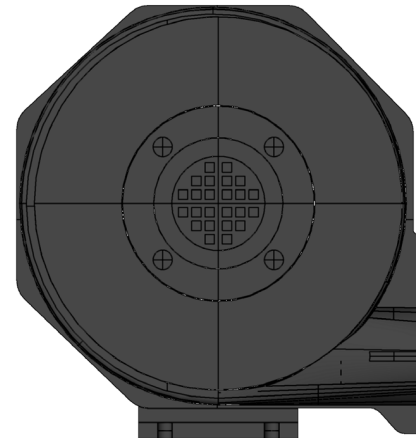
Position exhaust vent blower type MD10



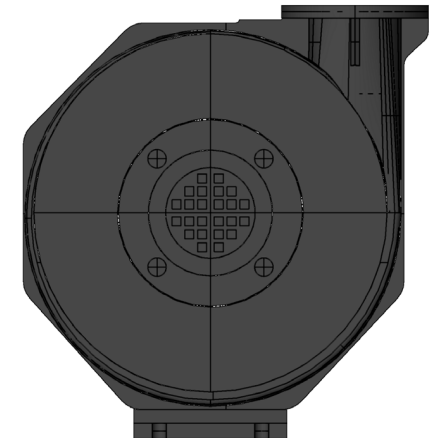
Ar



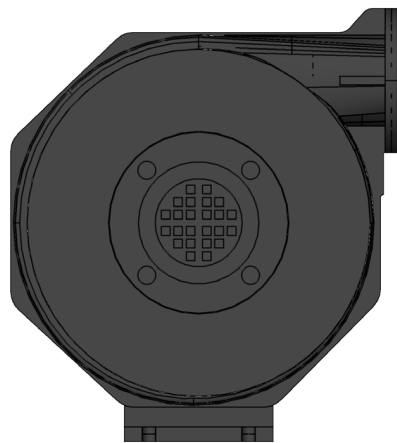
Br



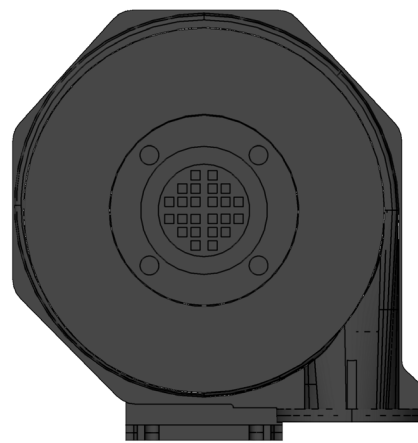
EI



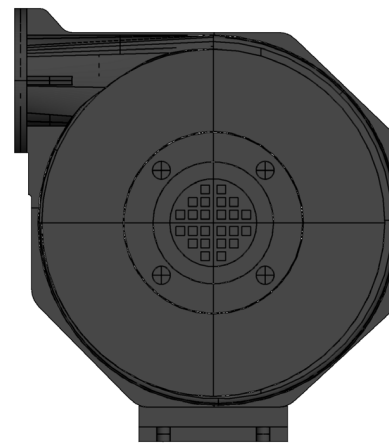
FI



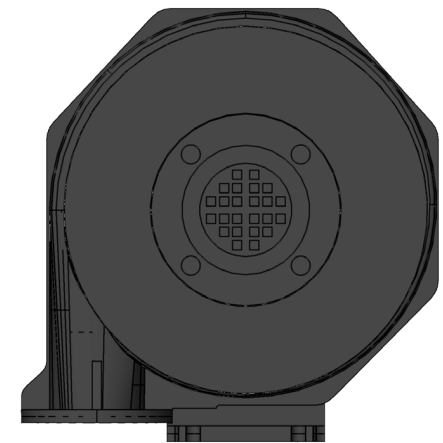
Cr



Dr

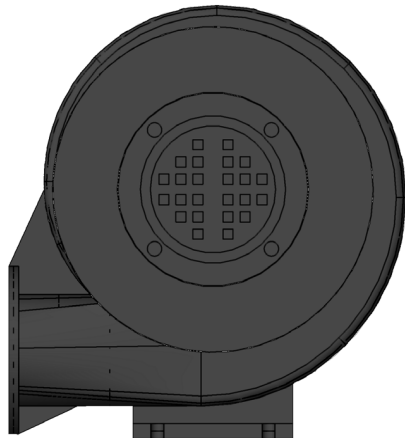


GI (Standard)

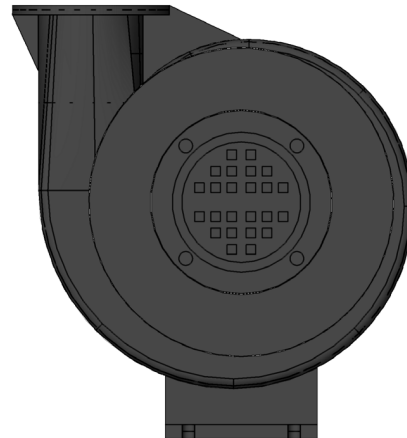


HI

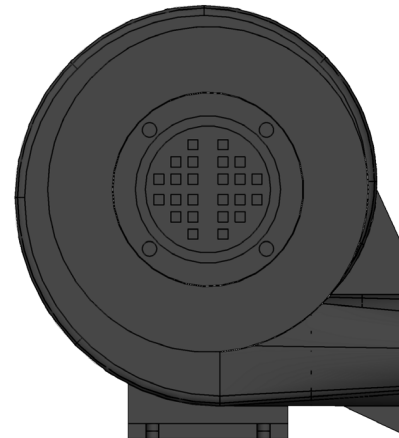
Position exhaust vent blower type MD14



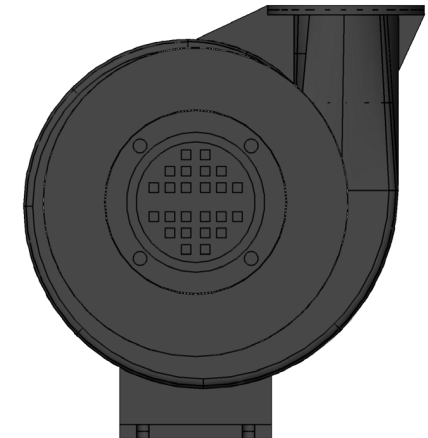
Ar



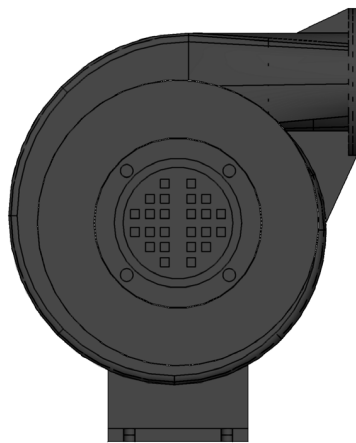
Br



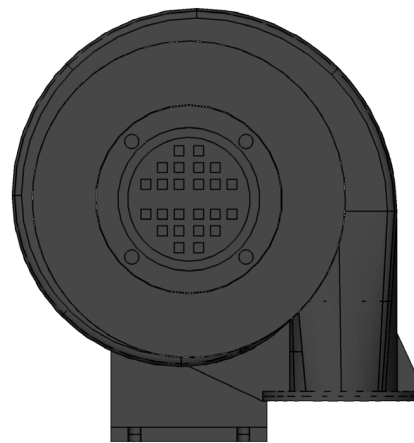
EI



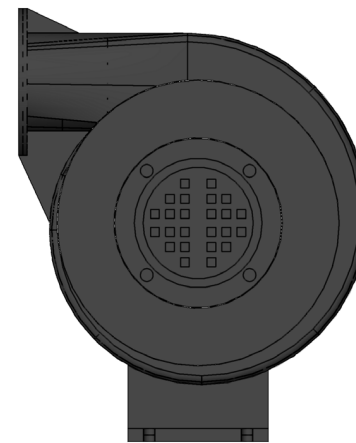
FI



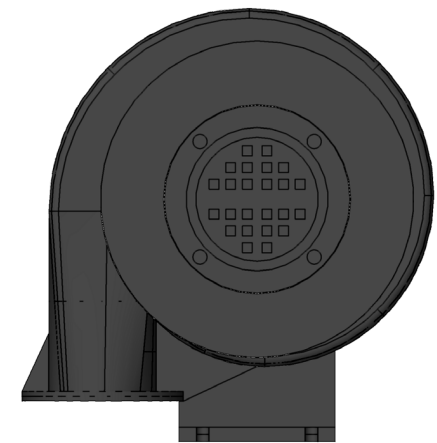
Cr



Dr



GI (Standard)



HI