

Air heater type S36 from 2,2 to 3,3 KW



Function: Air heater with external air supply by means of fan or compressed air.
CAUTION !!! Device is not pressure-resistant !!!

Configuration: Default: Temperature control with potentiometer (1 – 8)
 - alternatively with external potentiometer (cable length 5 meter) or
 - external control by control unit or SPS (cable length 5 meter)

Device is equipped with a reliable heating element protection. The integrated device protection turns off the device when tripped and resets automatically after cooling down. A reset is not required.

Features: Special design with internal thermocouple (cable length 1 or 5 meter):
 - for devices with electronic equipment max. supply air temperature 50°C
 - the unit is available without electronics (without heating element protection)
 - for devices without electronic equipment max. supply air temperature 80°C

Power: 2,2 KW, 2,3 KW, 3,3 KW
Voltage: 120VAC, 230 VAC

Technical data:

Item number	5101436	5101428 (5101410*)	5101426 (5101434*)
Voltage	VAC 120		230
Frequency	Hz	50 / 60	
Power	KW 2,2	2,3	3,3
Current	A 18,3	10,0	14,4
Max. temperature	°C	650	
Min. air volume	l/min 200 (255*)	240 (300*)	370 (470*)
Weight	kg	0,47	
Air intake	Ø mm	19	
Air outlet	Ø mm	22	
Heater tube	Ø mm	36 / 43	
Dimensions	mm (L x W x H)	237 x 69,5 x 58	
Conformity mark			
Protection class II			

*without electronic

Air heater type S36 from 2,2 to 3,3 KW

Product description:	Connection scheme:		
		<p>Default with potentiometer</p> <p>N, L1 = Main connection according to data plate</p>	<p>External control</p> <p>N, L1 = Main connection according to data plate</p> <p>Digital signal (PWM max. 0,5Hz) 10-24VDC + = brown - = white</p>
<ol style="list-style-type: none"> 1. Cable fitting mains supply 2. Potentiometer 0-8 (control cable für ext. control); (no Potentiometer for devices without electronic) 3. Mounting on bottom of housing M 4 (screw depth 7 mm) 4. Heatin element pipe Ø36mm 5. Cover 6. Data plate 7. Air intake Ø19mm 		<p>Version without electronics</p> <p>N, L1 = Main connection according to data plate</p>	






Formatiert

Air heater type S36 from 2,2 to 3,3 KW

Available Versions:

Item no.	Description
5101436	Air heater S36 120 VAC 2,2 KW with potentiometer
5101428	Air heater S36 230 VAC 2,3 KW with potentiometer
5101429	Air heater S36 230 VAC 2,3 KW for external control with 5 meter control cable
5101430	Air heater S36 230 VAC 2,3 KW for external control with 5 meter control cable, with an internal thermocouple
5101410	Air heater S36 230 VAC 2,3 KW without electronic
5101431	Air heater S36 230 VAC 2,3 KW without electronic, with an internal thermocouple
5101437	Air heater S36 230 VAC 2,3 KW with potentiometer and 1/4" air connection
5101426	Air heater S36 230 VAC 3,3 KW with potentiometer
5101382	Air heater S36 230 VAC 3,3 KW for external control with 5 meter control cable
5101384	Air heater S36 230 VAC 3,3 KW for external potentiometer with 5 meters control cables (protection tube)
5101434	Air heater S36 230 VAC 3,3 KW without electronic
5101432	Air heater S36 230 VAC 3,3 KW without electronic, with an internal thermocouple

Accessories:

Item no.	Description
5107250	 Flange connector, push fit on the protective tube
5107155	 Tubular nozzle \varnothing 5mm
5107003	 Angle nozzle 90°, \varnothing 12mm
5107251	 Extension tube 210 x 36,5mm
5107261	 Wide slot nozzle 70 x 4mm

Air heater type S36 from 2,2 to 3,3 KW

Combination possibilities for devices WITH electronic*:

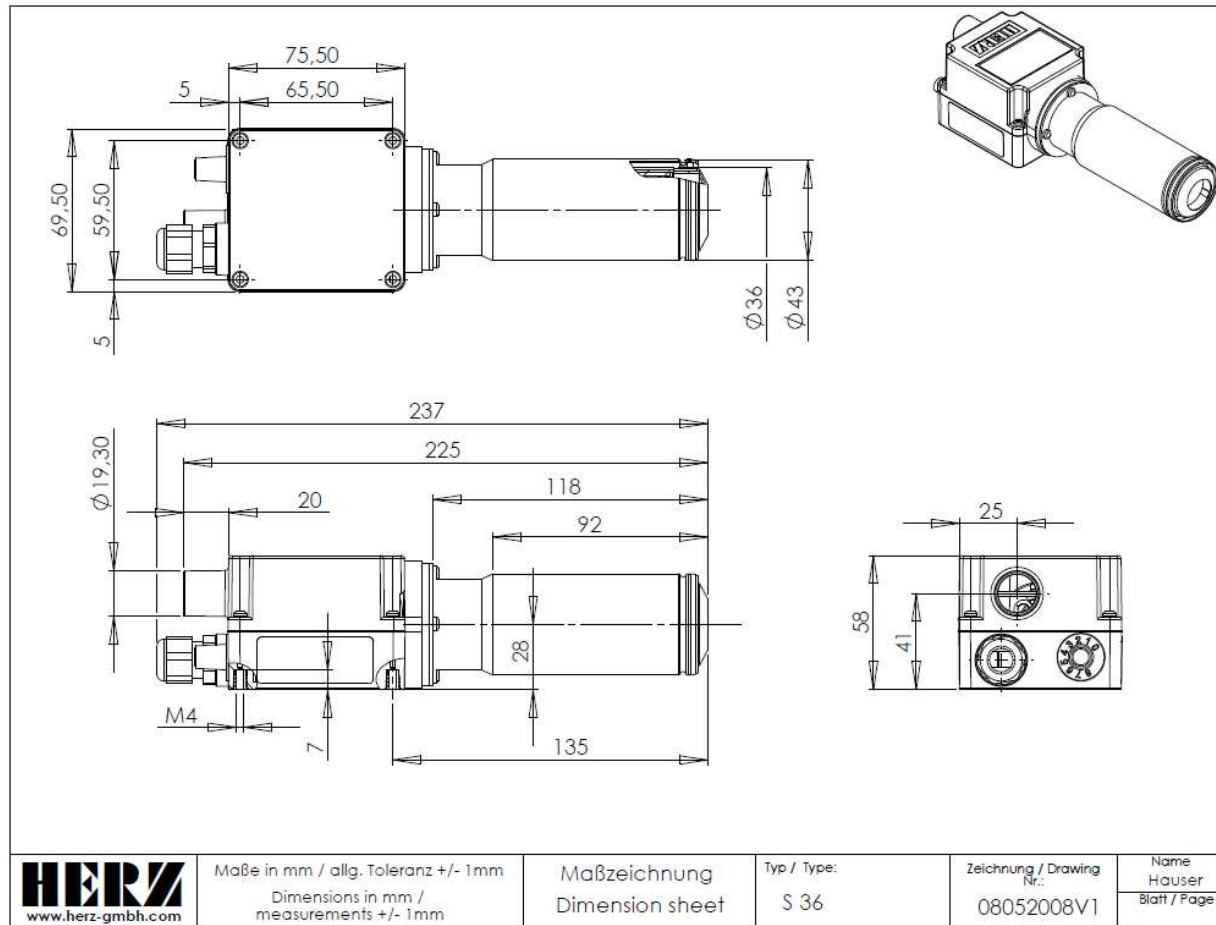
Measuring point: 3.0 mm after the air outlet pipe adapter – without nozzle, measured at the hottest point
Hose length: 1,0 m
Air supply: Blower 400 Volt, 50 Hz (HD = High pressure blower, MD = Medium pressure blower)
Air flow: NI / min = standard liters per minute according to DIN 1343

CAUTION: Air flow and temperature are indicative which can change due to external influences and changes air hose diameter and length!

Blower type	Quantity, air heater type, voltage, power	Air flow at 50 Hz with heating [NI / min.]	Maximum temperature at 50 Hz [°C]
HD140	1 x S36; 230VAC; 2,3KW	680	340
	2 x S36; 230VAC; 2,3KW	2 x 500	400
	4 x S36; 230VAC; 2,3KW	4 x 310	540
HD140	1 x S36; 230VAC; 3,3KW	630	450
	2 x S36; 230VAC; 3,3KW	2 x 480	520
HD240	4 x S36; 230VAC; 3,3KW	4 x 660	380

*Data without guarantee

Air heater type S36 from 2,2 to 3,3 KW



Air heater type S36 from 2,2 to 3,3 KW

HERZ GmbH

Kunststoff- & Wärmetechnologie
Biberweg 1
DE – 56566 Neuwied
Tel.: +49 (0)2622-81086; Fax: +49 (0)2622-81080
www.herz-gmbh.com; info@herz-gmbh.com

HERZ Austria GmbH

Kunststoff- & Wärmetechnologie
Gleinser Weg 27
AT – 6141 Schönberg / Tirol
Tel.: +43 (0)5225-63113; Fax: +43 (0)5225-6311385
www.herz-austria.at; herz.schoenberg@herz-gmbh.com

HERZ Hungária Kft.

Műanyag- es hőlégtéchnika
Pesti út 284. (HRSZ. 3335.)
HU – 2225 Üllő
Tel.: +36 (06)29-522400; Fax: +36 (06)29-522 410
www.herz-hungaria.hu; herz@herz-hungaria.hu

HERZ Bulgaria OOD

Boul. Assen Yordanov 10
BG – 1592 Sofia
Tel.: +359 (0)2-9790351; Fax: +359(0)2-9790793
www.herz-bulgaria.com; office@herz-bulgaria.com

HERZ GmbH

Kunststoff- & Wärmetechnologie
Am Arenberg 26A
DE – 86456 Gablingen
Tel.: +49 (0)8230-85085; Fax: +49 (0)8230-85087
www.herz-gmbh.com; robert.einberger@herz-gmbh.com

HERZ Austria GmbH

Kunststoff- & Wärmetechnologie
Johann-Galler-Str. 20 IZ – NÖ – Nord
AT – 2120 Wolkersdorf i. Weinviertel
Tel.: +43 (0)2245-82494-0; Fax: +43 (0)2245-82494-9
www.herz-austria.at; herz.wolkersdorf@herz-gmbh.com

HERZ Polska Sp.z o. o.

Technologie obróbki tworzyw sztucznych
Ul. Kostrzyńska 30
PL – 02-979 Warszawa
Tel.: +48 (0)22-8428583; Fax: +48 (0)22-8429700
www.herz.polska.pl; herz.polska@herz-gmbh.com

© by **HERZ** GmbH