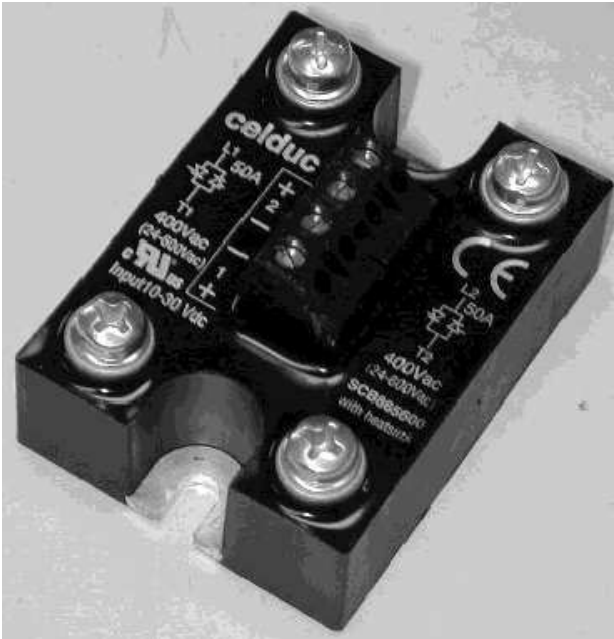
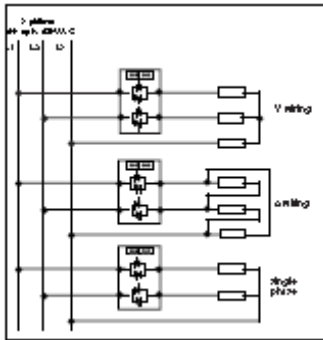


Solid State Relais; Power solid-state relay Typ SCB965600

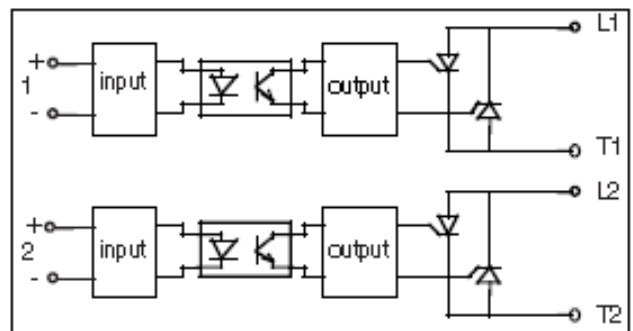


- 8-30 VDC control
- 50A/600VAC output
- 24-600VAC -50A x 2 Zero-Cross AC Output.
- Two Controls for 2 legs.
- Power and Control connections by screw terminal.
- Protection IP00 optional (1K470 000).

Application typique/Typical application



Construction



Control characteristics (at 20°C)

Parameter	Symbol	DC - AC			Unit
		Min	Nom	Max	
Control voltage	U_c	8		30	V
Control current (@ U_c nom)	I_c	5			mA
Release voltage	$U_{c\ off}$	1			V
Input internal resistor fig.1	R_c		1000		Ω
Reverse voltage	U_{rv}			30	V

Input-output characteristics (at 20°C)

Input-output isolation @500m	U_{imp}/U_i	4000/3300	V
Output-case isolation @500m			
Leg 1-Leg 2 isolation @500m			

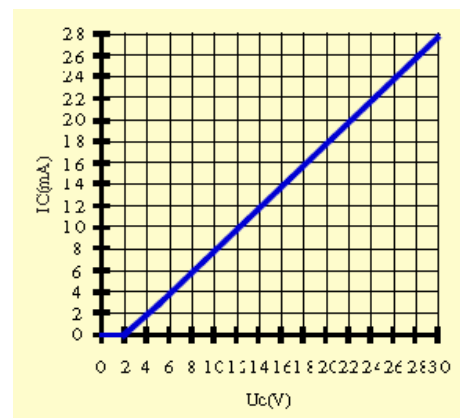


fig. 1: Control characteristic

General characteristics

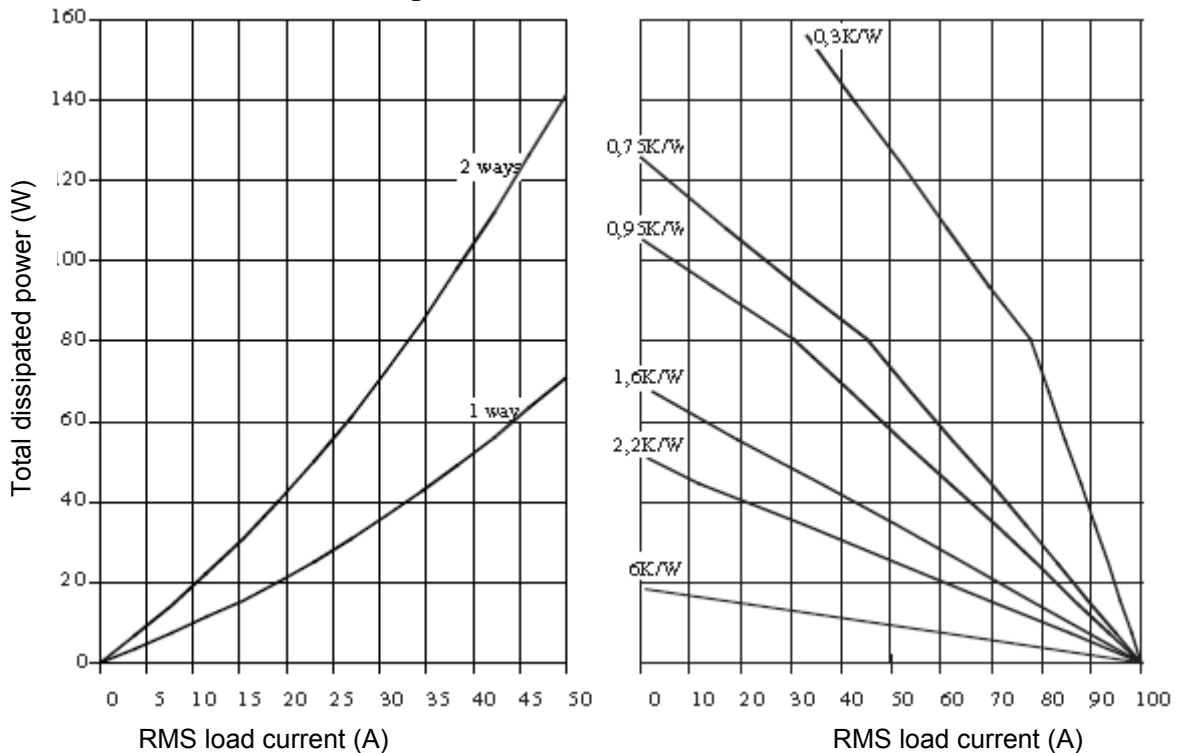
Parameter	Conditions	Symbol	Typ.	Unit
Weight			110	V
Storage temperature-range			-40/+100	°C
Operating temperature-range				
Junct.-Case thermal resistance (1 leg)			0,5	°C/W

Solid State Relais; Power solid-state relay Type S0942460

Output characteristics (at 20°C)

Parameter	Conditions	Symbol	Typ.	Unit
Load voltage		UI	400	V rms
Operating range		U _{lmin-max}	24-600	V rms
Peak voltage (clamping voltage)		U _p	1200	V
Synchronizing level		U _{sync}	50	V
/ Latching voltage	I _l nom	U _a	8	V
AC1 nominal current	(see Fig. 2)	I _l AC1	50	A rms
Non repetitive overload current	t _p =10ms (Fig. 3)	I _{tsm}	550	A
On state voltage drop	@ I _l nom	V _d	1,6	V
Off state leakage current	@UI, 50Hz	I _l k	1	mA
Minimum load current		I _l min	5	mA
Turn on time	U _c nom DC ,f=50Hz	t _{on} max	10	ms
Turn off time	U _c nom DC ,f=50Hz	T _{off} max	10	ms
Operating frequency range		f	10 – 440	Hz
Off state		dv/dt	500	V/μs
Maximum di/dt non repetitive		di/dt	50	A/μs
I ² t (<10ms)		I ² t	1500	A ² s
External protection possibility				Fuse

fig 2: Thermal characteristics



Solid State Relais; Power solid-state relay Type S0942460

fig 2: Thermal characteristics

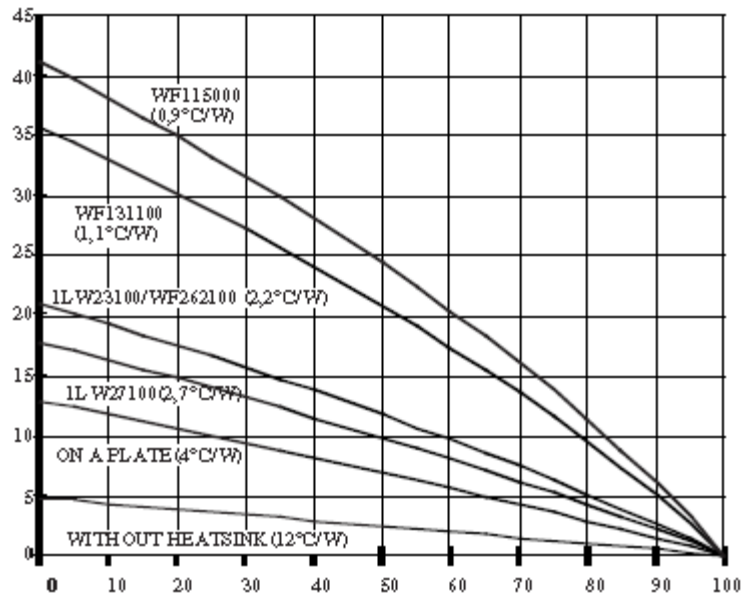
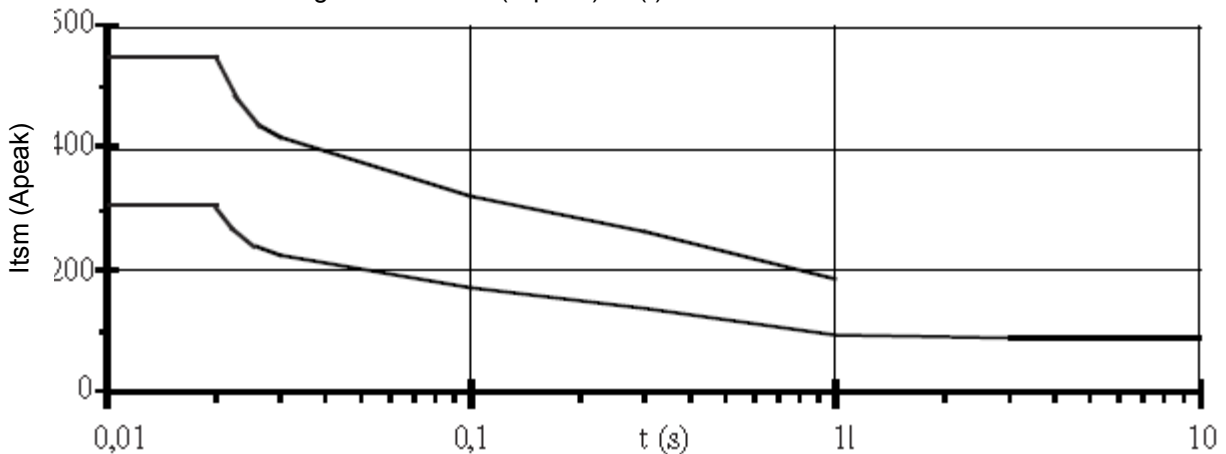


fig. 3: Overload current curves

Surge current I_{tsm} (A peak) = $f(t)$ for models with $I_{tsm} = 550A$

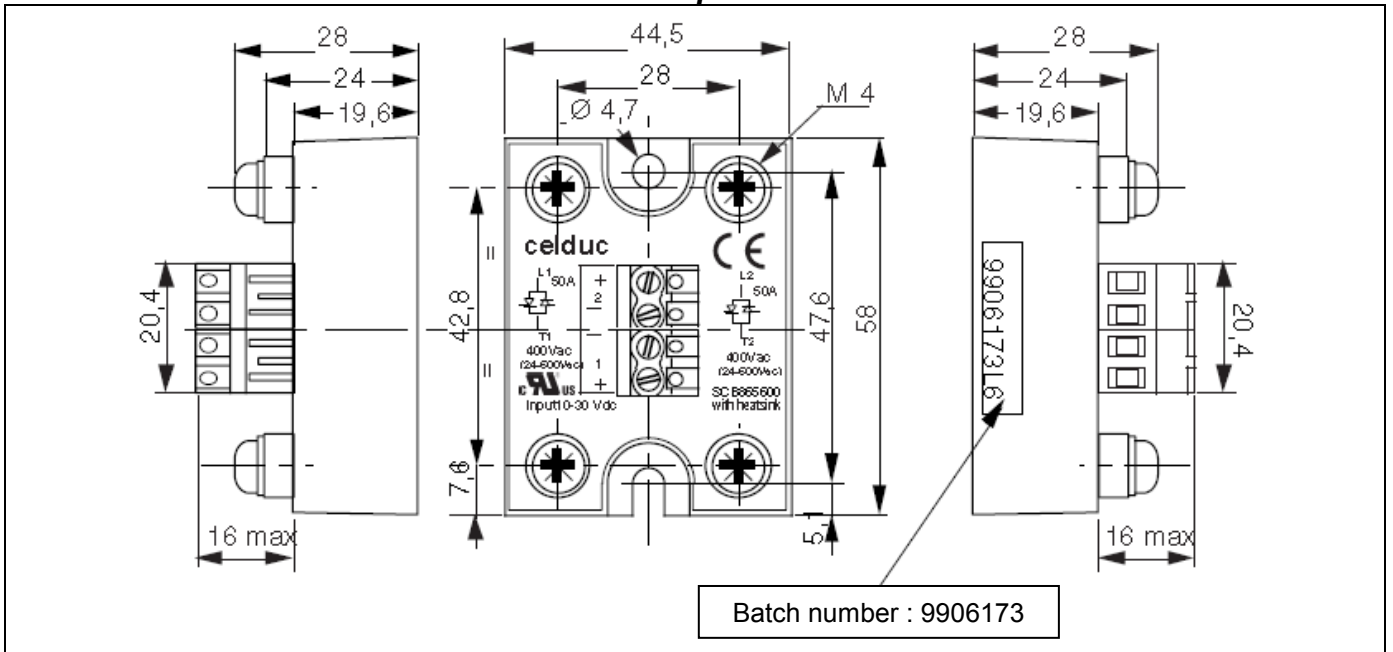


1 - I_{tsm} non répétitif sans tension réappliquée est donné pour la détermination des protections. No repetitive I_{tsm} is given without voltage reappplied for the determination of the protection.

2 - I_{tsm} répétitif est donné pour des surcharges de courant (T_j initiale=70°C). La répétition de ces surcharges de courant diminue la durée de vie du Relais. Repetitive I_{tsm} is given for inrush current with initial $T_j = 70^\circ C$. The repetition of the surge current decrease the lifetime SSR's .

Solid State Relais; Power solid-state relay Type S0942460

Mechanical specifications



Wiring tabs for the outputs SC range (exemples)

I max (A)	Wire (mm ²)	AWG			Outputs
					Screws: M4 Screws torque : 1,8 Nm
<20	2,5	12	L=22mm W=8,5mm AMP : 0-0034160-0	L=20mm W=6,0mm AMP : 0-0165012-1	Inputs
25	4	10	L=27mm W=7,0mm AMP : 0-0034853-0	L=31mm W=8,0mm AMP : 0-0132269-1	Max. wire: 12 AWG 2,5 mm ² Screwdriver type: 3,5 x0,5 mm Screws torque: 0,4 Nm
32	6	10	L=27mm W=7,0mm AMP : 0-0034853-0	L=31mm W=8,0mm AMP : 0-0132269-1	
50	10	8	L=23,7mm W=11,9mm AMP : 0-0032996-0	X	Input wires

Cautions :

* Semiconductor relays don't provide any galvanic insulation between the load and the mains.

Solid State Relais; Power solid-state relay Type S0942460

HERZ GmbH

Kunststoff- & Wärmetechnologie
Biberweg 1
DE – 56566 Neuwied
Tel.: +49 (0)2622-81086; Fax: +49 (0)2622-81080
www.herz-gmbh.com; info@herz-gmbh.com

HERZ Austria GmbH

Kunststoff- & Wärmetechnologie
Gleinser Weg 27
AT – 6141 Schönberg / Tirol
Tel.: +43 (0)5225-63113; Fax: +43 (0)5225-6311385
www.herz-austria.at; herz.schoenberg@herz-gmbh.com

HERZ Hungária Kft.

Műanyag- és hőlégtéchnika
Pesti út 284. (HRSZ. 3335.)
HU – 2225 Üllő
Tel.: +36 (06)29-522400; Fax: +36 (06)29-522 410
www.herz-hungaria.hu; herz@herz-hungaria.hu

HERZ Bulgaria OOD

Boul. Assen Yordanov 10
BG – 1592 Sofia
Tel.: +359 (0)2-9790351; Fax: +359(0)2-9790793
www.herz-bulgaria.com; office@herz-bulgaria.com

HERZ GmbH

Kunststoff- & Wärmetechnologie
Am Arenberg 26A
DE – 86456 Gablingen
Tel.: +49 (0)8230-85085; Fax: +49 (0)8230-85087
www.herz-gmbh.com; robert.einberger@herz-gmbh.com

HERZ Austria GmbH

Kunststoff- & Wärmetechnologie
Johann-Galler-Str. 20 IZ – NÖ – Nord
AT – 2120 Wolkersdorf i. Weinviertel
Tel.: +43 (0)2245-82494-0; Fax: +43 (0)2245-82494-9
www.herz-austria.at; herz.wolkersdorf@herz-gmbh.com

HERZ Polska Sp.z o. o.

Technologie obróbki tworzyw sztucznych
Ul. Kostrzyńska 30
PL – 02-979 Warszawa
Tel.: +48 (0)22-8428583; Fax: +48 (0)22-8429700
www.herz.polska.pl; herz.polska@herz-gmbh.com